



Storage space for the tightest places

Blum's idea for narrow cabinets

www.blum.com

 **blum**[®]

A practical solution for small storage spaces

Now even the smallest spaces in the kitchen can be used. With its idea for narrow cabinets, Blum creates additional storage space thanks to diagonally offset runners – without compromising on stability or quality of motion.

 **blum**





Proven Blum quality of motion

The idea for narrow cabinets features the proven Blum quality of motion. Low opening forces, the smooth running action and the BLUMOTION adaptive dampening system. This ensures a silent and effortless closing action with high quality of motion. The solution can also easily be pulled out, so everything can be conveniently accessed, even in the furthest corner.

Optimum stability and load bearing

Diagonally offset runners ensure improved lateral stability and a high load bearing capacity of up to 20 kg per base cabinet.

Uniform appearance

The implementation in combination with the box systems TANDEMBOX and LEGRABOX or with the runner systems TANDEM and MOVENTO enables a consistent look and a uniform appearance.

Familiar ease of assembly and adjustment

The use of Blum standard fittings enables the familiar simple and convenient adjustment and assembly.

Diverse implementation options

The consistent use of Blum fittings enables the narrow cabinets concept to be covered by the existing programme.

The solution can be used in combination with the TANDEMBOX and LEGRABOX box systems, and also with the TANDEM and MOVENTO runner systems.

 **blum**



TANDEMBOX

The solution for narrow cabinets is compatible with all TANDEMBOX programme lines.

For cabinet width of 200 mm.



LEGRABOX

The narrow, linear design of LEGRABOX is also used to its full advantage in narrow cabinet solutions.

For cabinet width of 200 mm.



TANDEM

With the runner system, narrow wooden cabinets can be implemented throughout the entire living area.

For cabinet widths starting at 150 mm.



MOVENTO

The quality of motion of MOVENTO is also noticeable in narrow cabinets.

For cabinet width of 200 mm.

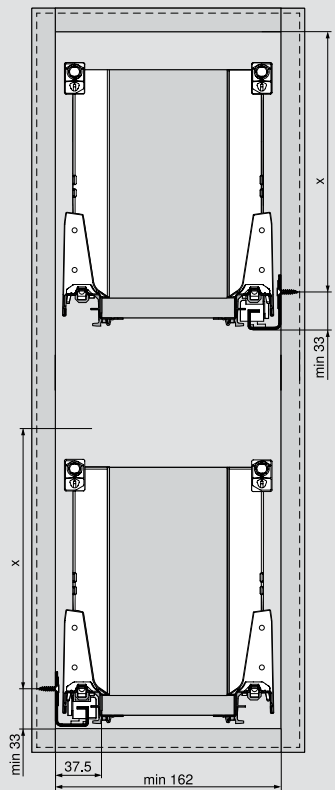


TANDEMBOX



Planning information

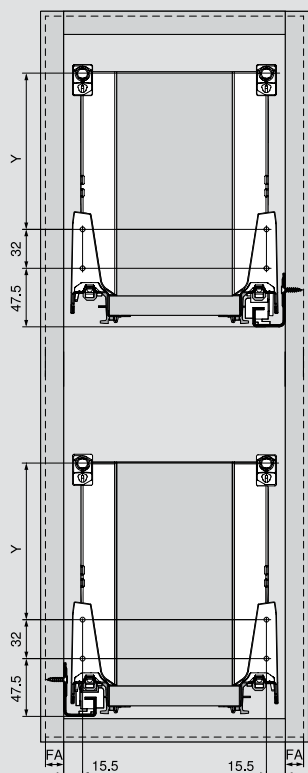
Space requirements in cabinet



X =

Height	TANDEMBOX plus	TANDEMBOX antaro	TANDEMBOX intivo
M	63.5 mm	65.5 mm	65.5 mm
K	95.5 mm	97.5 mm	-
B	127 mm	127 mm	-
C	159 mm	163 mm	159 mm
D	191 mm	195 mm	191 mm

Front installation dimensions

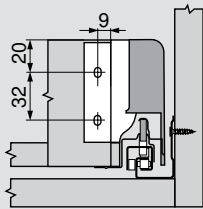


FA = front overlay

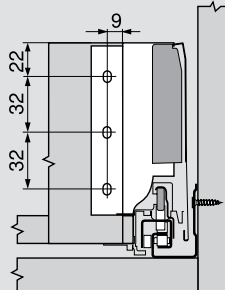
Y =

Height	TANDEMBOX plus	TANDEMBOX antaro	TANDEMBOX intivo
M	-	-	-
K	32 mm	32 mm	-
B	64 mm	64 mm	-
C	96 mm	96 mm	96 mm
On K drawer side	32/64 mm	-	-
D	128 mm	128 mm	96 mm
With double gallery	64/64 mm	64/64 mm	-
On K drawer side	-	32/96 mm	-

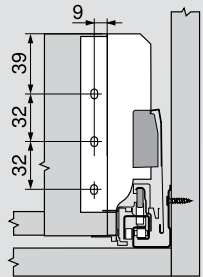
Back installation dimensions



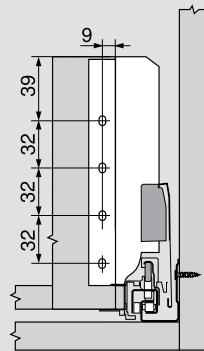
Height M



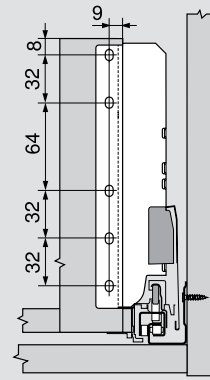
Height K



Height B

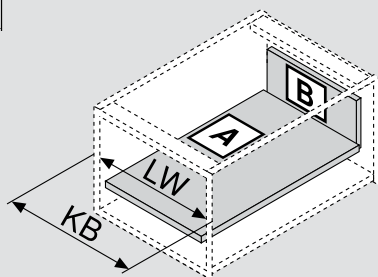
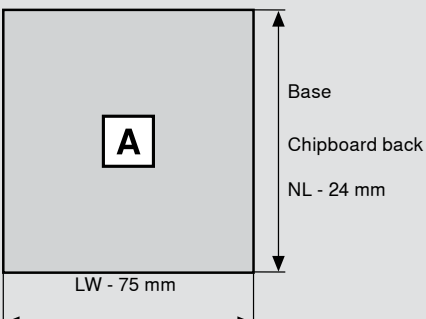
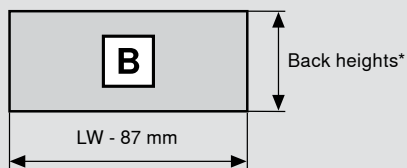


Height C



Height D

Cutting dimensions for 16 mm chipboard



KB = cabinet width
LW = inner cabinet width
NL = nominal length

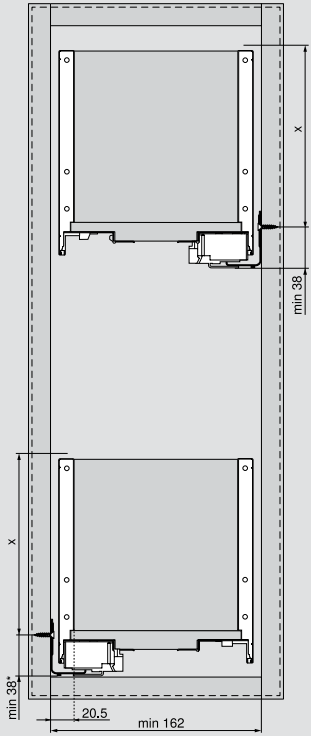
* Back heights

Height	TANDEMBOX plus	TANDEMBOX antaro	TANDEMBOX intivo
M	84 mm	84 mm	84 mm
K	116 mm	116 mm	-
B	135 mm	135 mm	-
C	167 mm	167 mm	167 mm
D	199 mm	199 mm	199 mm

i Note

For order specifications for standard TANDEMBOX components, please see the respective product brochures or the catalogue.

Space requirements in cabinet

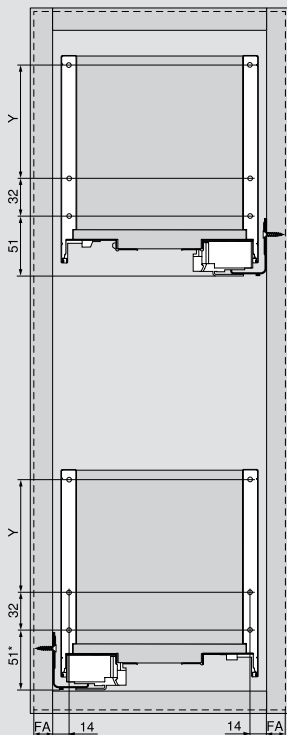


*+ 1 mm for assembly of the cabinet profile on the horizontal cabinet side

X =

Height	LEGRABOX pure
M	68 mm
K	106 mm
C	154.5 mm

Front installation dimensions



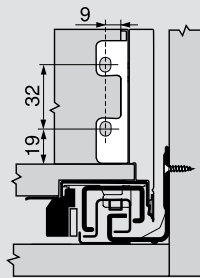
FA = front overlay

* + 1 mm for assembly of the cabinet profile on the horizontal cabinet side

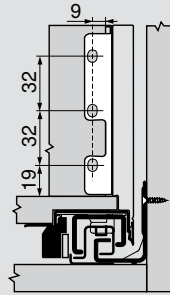
Y =

Height	LEGRABOX pure
M	-
K	-
C	96 mm

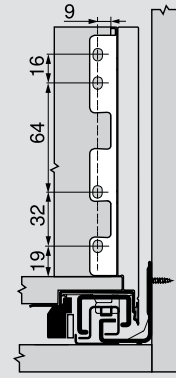
Back installation dimensions



Height M

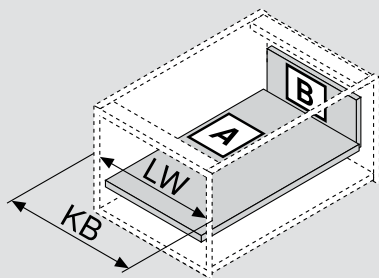
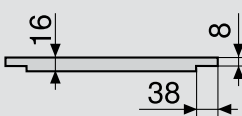
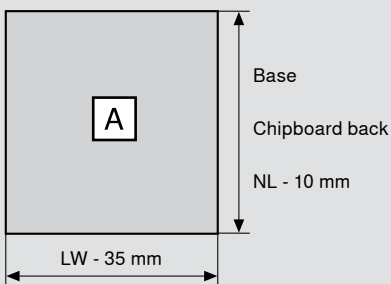
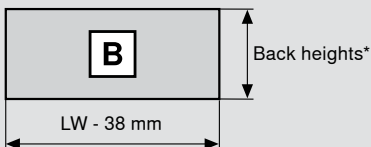


Height K



Height C

Cutting dimensions for 16 mm chipboard



KB = cabinet width
LW = inner cabinet width
NL = nominal length

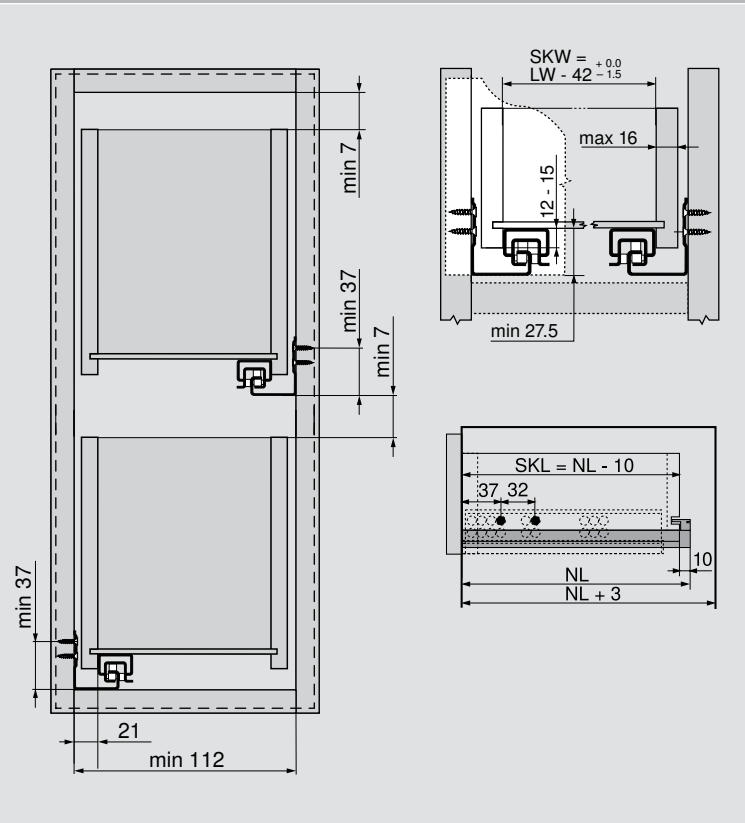
* Back heights

Height	LEGRABOX pure
M	63 mm
K	101 mm
C	148 mm

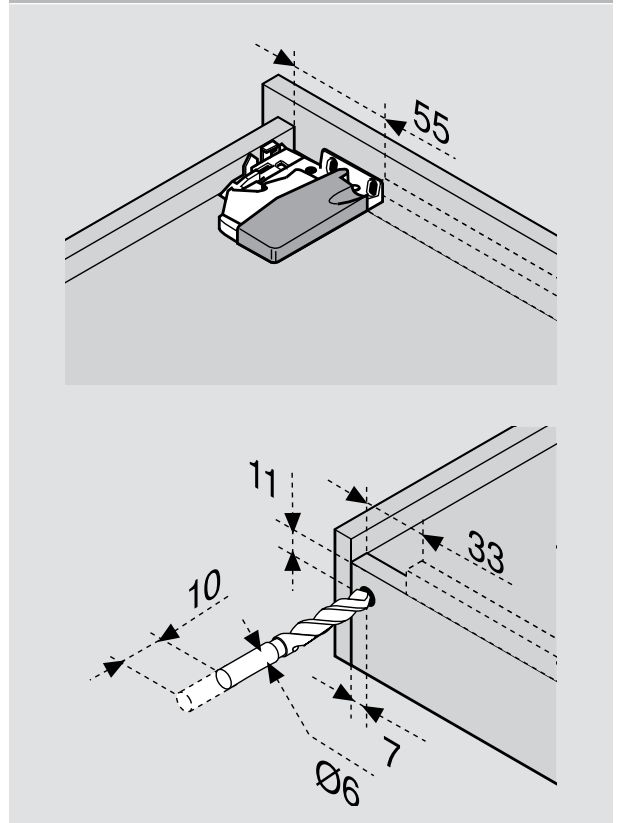
i Note

For order specifications for standard LEGRABOX components, please see the respective product brochures or the catalogue.

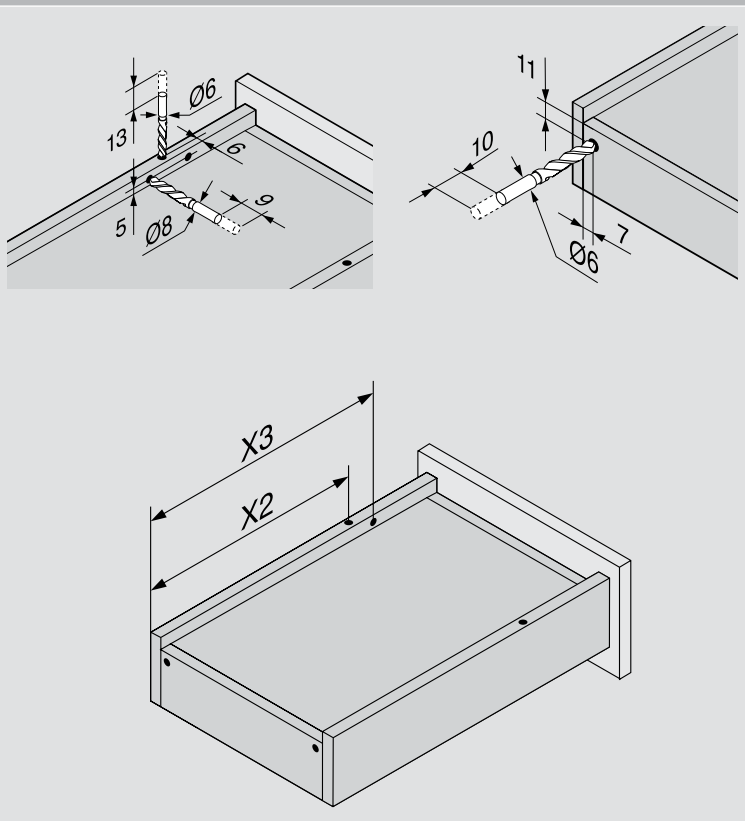
Drawer



Locking device feature of drawer assembly



Peg variant of drawer assembly

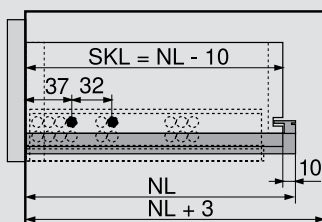
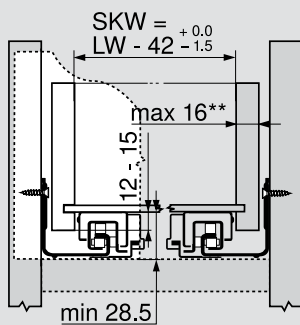
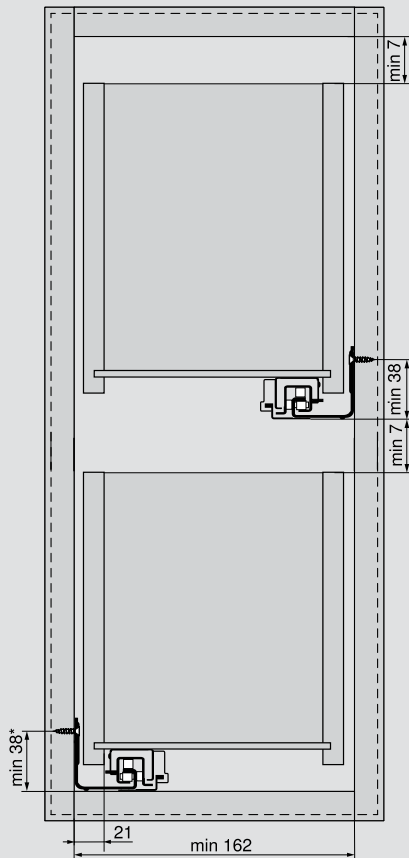


Tandem plus-561H

Nominal length	Pegs	Lift-off stop
NL (mm)	X2 (mm)	X3 (mm)
260	205	185
285	220	200
310	230	242
335	245	257
360	275	287
385	285	297
410	300	344
435	310	354
460	335	379
485	350	394
510	360	436
535	375	451
560	405	481

i Note
For order specifications for standard TANDEM components, please see the respective product brochures or the catalogue.

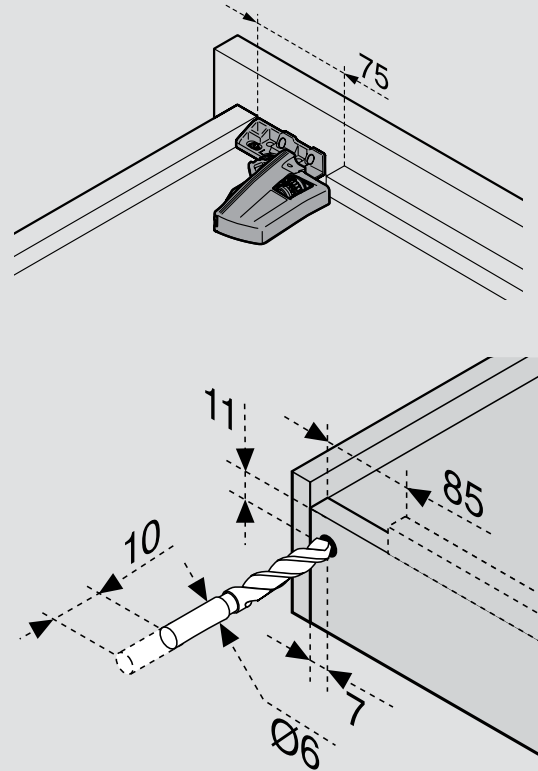
Drawer



* + 1 mm for assembly of the cabinet profile on the horizontal cabinet side

** Limited side adjustment for a drawer side panel thickness of 16 mm, but with full tolerance utilisation of the internal drawer width SKW

Drawer assembly



i Note

For order specifications for standard MOVENTO components, please see the respective product brochures or the catalogue.

Blum Canada Ltd.
7135 Pacific Circle
Mississauga, ON, L5T 2A8
Tel.: 905-670-7920
Fax: 905-670-7929
Long Dist.: 1-800-670-9254
E-mail: info.ca@blum.com

Julius Blum GmbH
Furniture Fittings Mfg.
6973 Höchst, Austria
Tel.: +43 5578 705-0
Fax: +43 5578 705-44
E-mail: info@blum.com
www.blum.com

